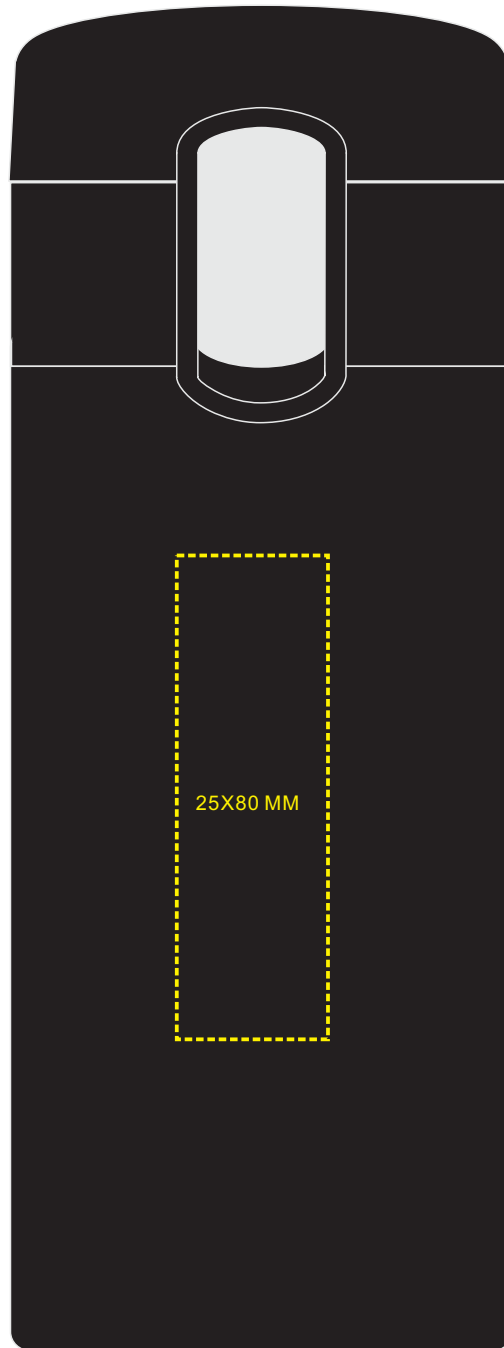
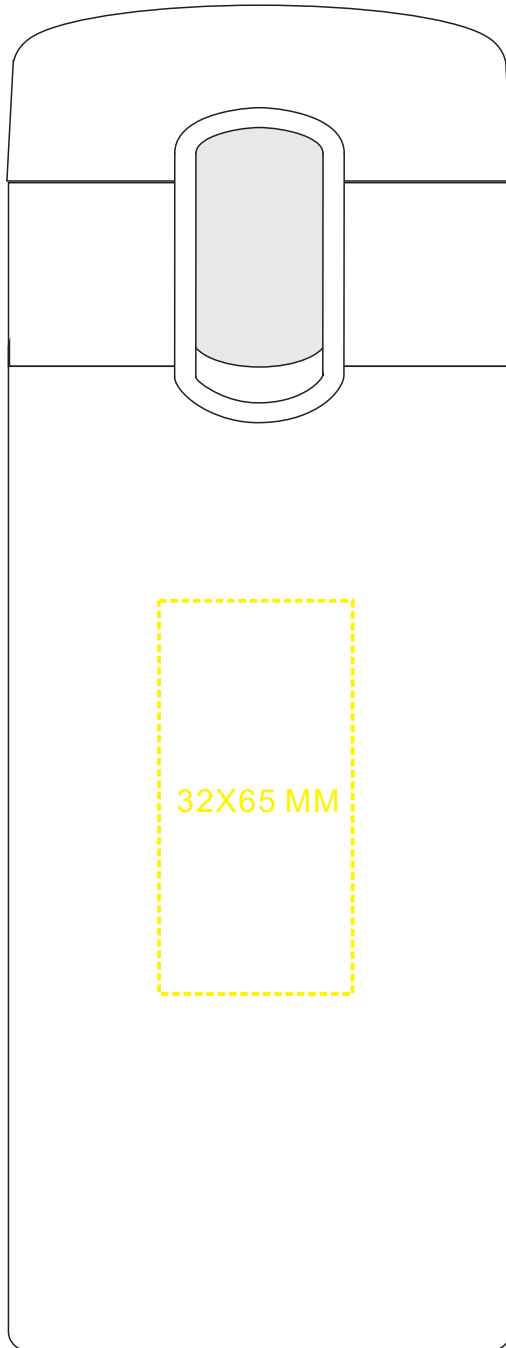


ARTWORK FOR APPROVAL

SCALE 100%



job will not proceed without signature approval. *If approval is not approved, delivery could be jeopardised.*

NOTE: Ensure that this Proof is correct & in accordance with your instructions. CLIENTS SIGNATURE IS ACCEPTANCE THAT ALL ARTWORK IS CORRECT.

PLEASE TICK APPROPRIATE BOX, SIGN AND RETURN BY FAX A.S.A.P. -

ARTWORK APPROVED *(Print as shown)*

AMEND ARTWORK WITH CORRECTIONS *(Re-fax for approval)*

Ensure these (artwork) details are correct

PLEASE TICK

Spelling Product

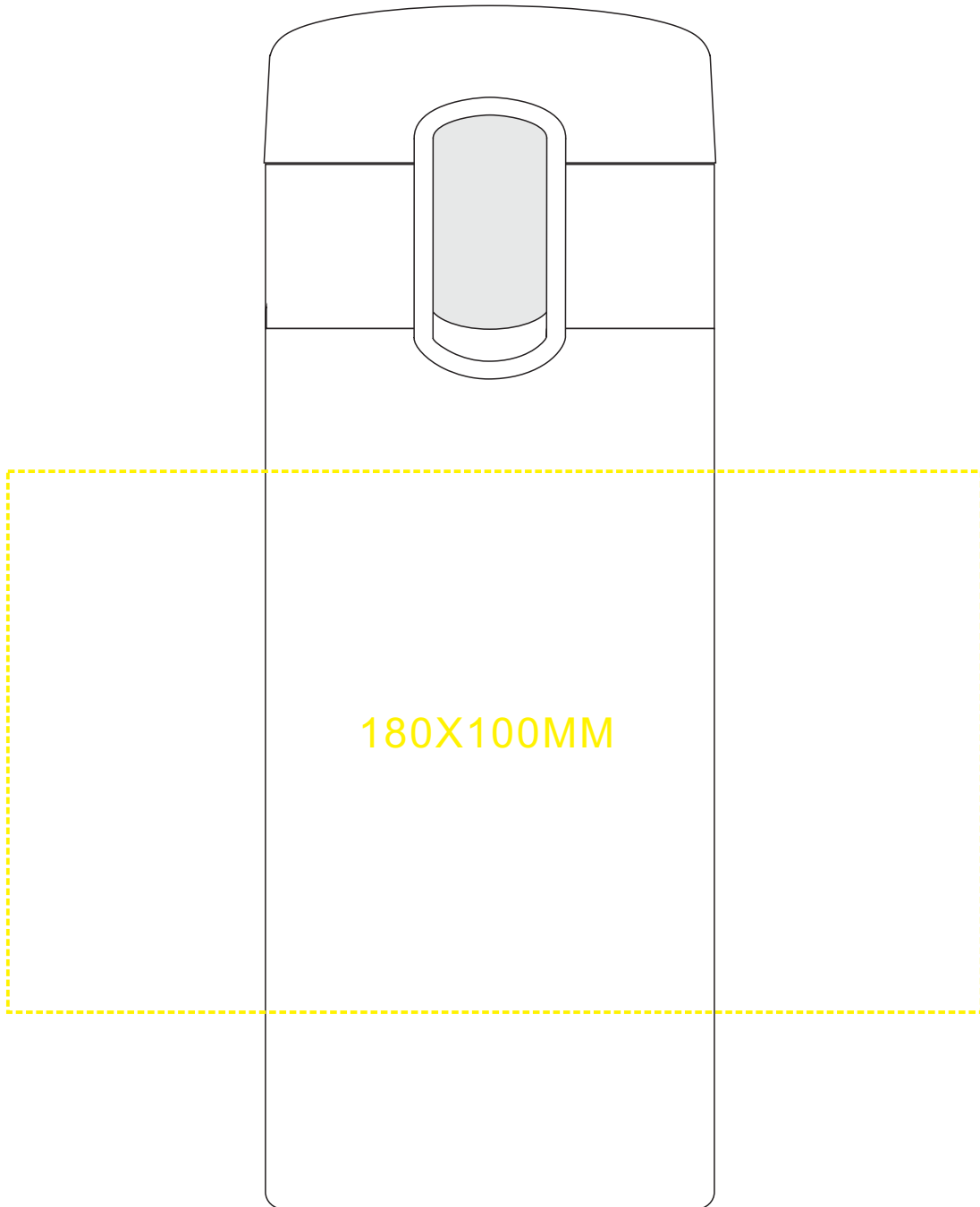
Colours Size

Name: _____

Signature: _____ Date: _____

ARTWORK FOR APPROVAL

SCALE 100%



job will not proceed without signature approval. *If approval is not approved, delivery could be jeopardised.*

NOTE: Ensure that this Proof is correct & in accordance with your instructions. CLIENTS SIGNATURE IS ACCEPTANCE THAT ALL ARTWORK IS CORRECT.

PLEASE TICK APPROPRIATE BOX, SIGN AND RETURN BY FAX A.S.A.P. -

ARTWORK APPROVED *(Print as shown)*

AMEND ARTWORK WITH CORRECTIONS *(Re-fax for approval)*

*Ensure these (artwork)
details are correct*

PLEASE TICK

Spelling Product

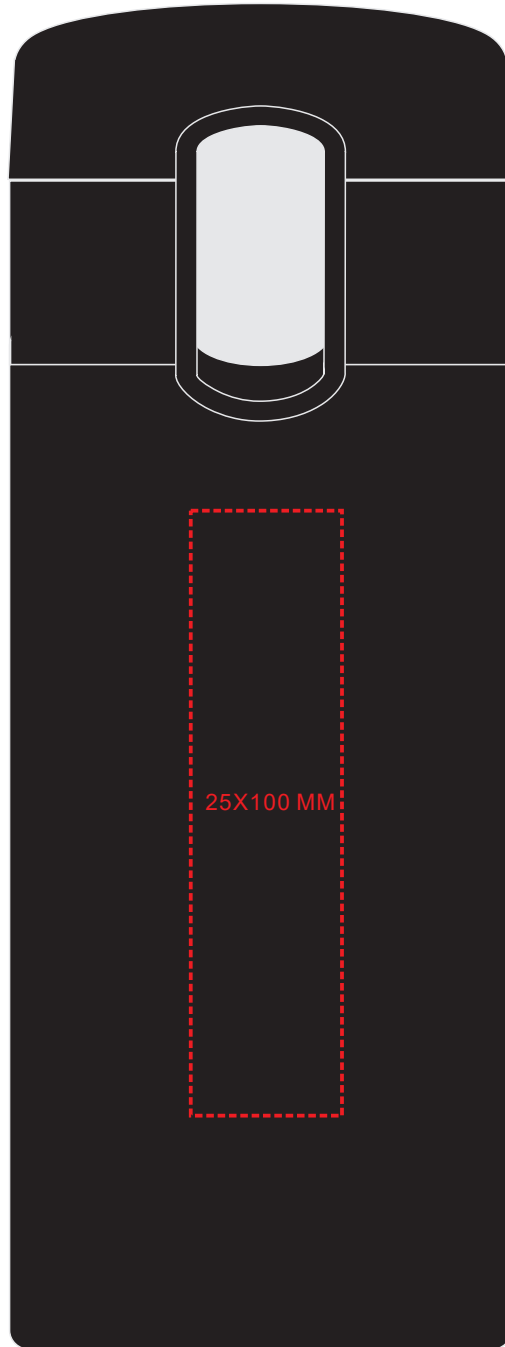
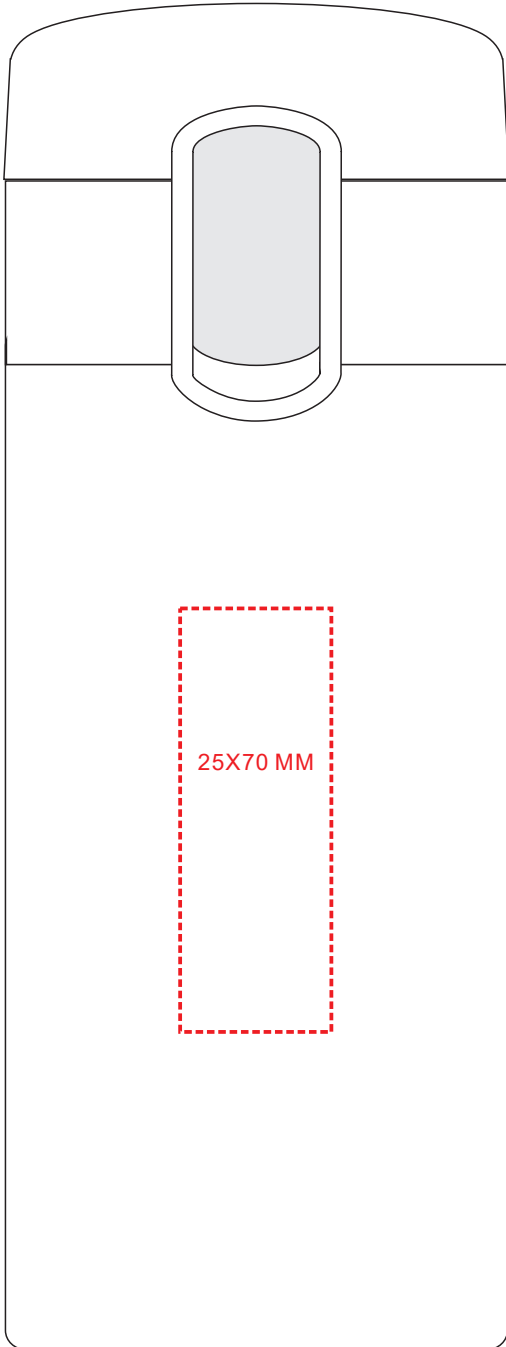
Colours Size

Name: _____

Signature: _____ Date: _____

ARTWORK FOR APPROVAL

SCALE 100%



job will not proceed without signature approval. *If approval is not approved, delivery could be jeopardised.*

NOTE: Ensure that this Proof is correct & in accordance with your instructions. CLIENTS SIGNATURE IS ACCEPTANCE THAT ALL ARTWORK IS CORRECT.

PLEASE TICK APPROPRIATE BOX, SIGN AND RETURN BY FAX A.S.A.P. -

ARTWORK APPROVED *(Print as shown)*

AMEND ARTWORK WITH CORRECTIONS *(Re-fax for approval)*

Ensure these (artwork) details are correct

PLEASE TICK

Spelling Product

Colours Size

Name: _____

Signature: _____ Date: _____