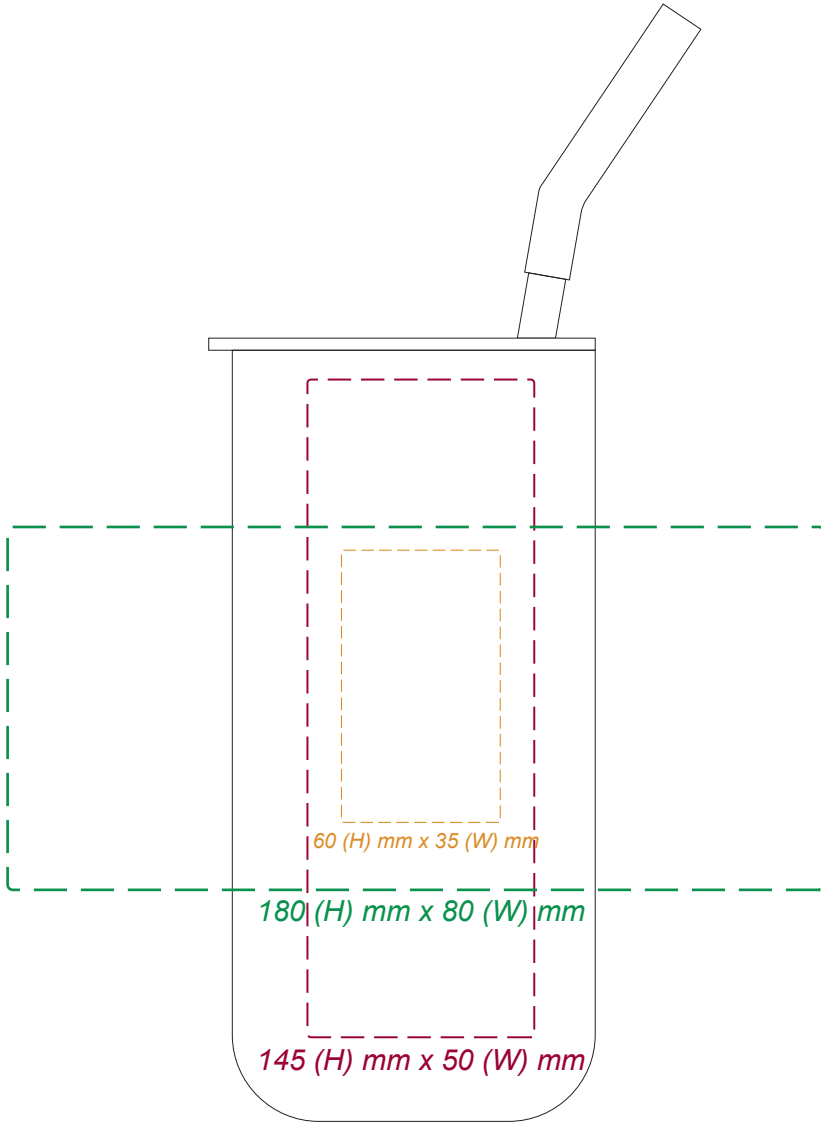


Artwork for Approval

scale @60 %



Print Size @100%
mm X mm

Company Name :	Product Code :	JM094
Qty :	Product Colour :	BLACK, WHITE, GREEN, BLUE, SILVER
Order :	Decorate Method :	LASER / SCREEN PRINT / DIGITAL ROTARY / DIGITAL PRINT
Comments :	Print Color :	LASER ENGRAVED SINGLE COLOURED CMYK

job will not proceed without signature approval. If approval is not approved, delivery could be jeopardised.

NOTE: Ensure that this Proof is correct & in accordance with your instructions. CLIENTS SIGNATURE IS ACCEPTANCE THAT ALL ARTWORK IS CORRECT.
PLEASE TICK APPROPRIATE BOX, SIGN AND RETURN BY FAX A.S.A.P. -

ARTWORK APPROVED (Print as shown)

AMEND ARTWORK WITH CORRECTIONS (Re-fax for approval)

Ensure these (artwork)
details are correct

PLEASE TICK

Spelling Product

Colours Size

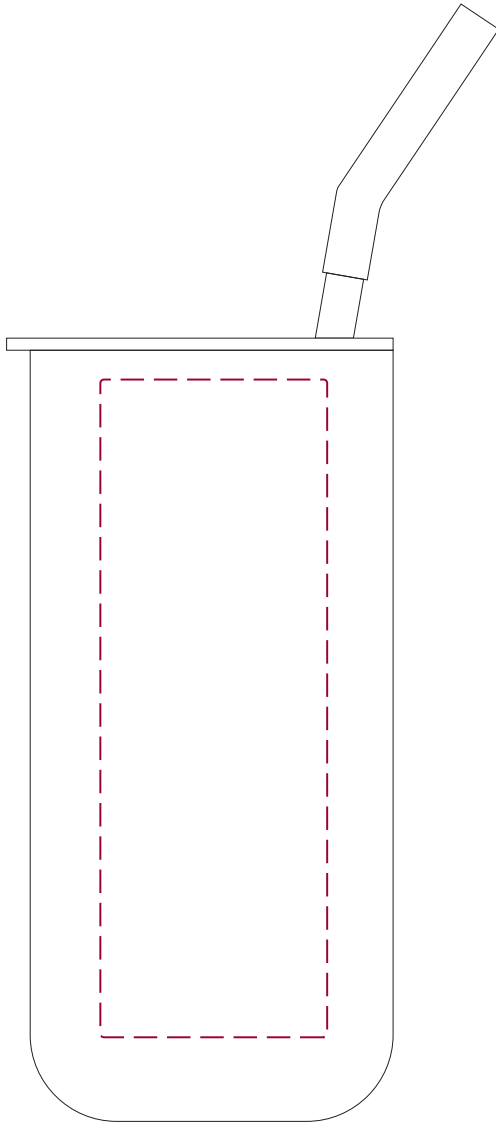
Name: _____

Signature: _____ Date: _____

Laser Engraved

Artwork for Approval

scale @60 %



145 (H) mm x 50 (W) mm

Print Size @100%
mm X mm

Company Name :	Product Code :	JM094
Qty :	Product Colour :	BLACK, WHITE, GREEN, BLUE, SILVER
Order :	Decorate Method :	LASER
Comments :	Print Color :	LASER ENGRAVED

job will not proceed without signature approval. If approval is not approved, delivery could be jeopardised.

NOTE: Ensure that this Proof is correct & in accordance with your instructions. CLIENTS SIGNATURE IS ACCEPTANCE THAT ALL ARTWORK IS CORRECT.
PLEASE TICK APPROPRIATE BOX, SIGN AND RETURN BY FAX A.S.A.P. -

ARTWORK APPROVED (Print as shown)

AMEND ARTWORK WITH CORRECTIONS (Re-fax for approval)

Ensure these (artwork)
details are correct

PLEASE TICK

Spelling Product

Colours Size

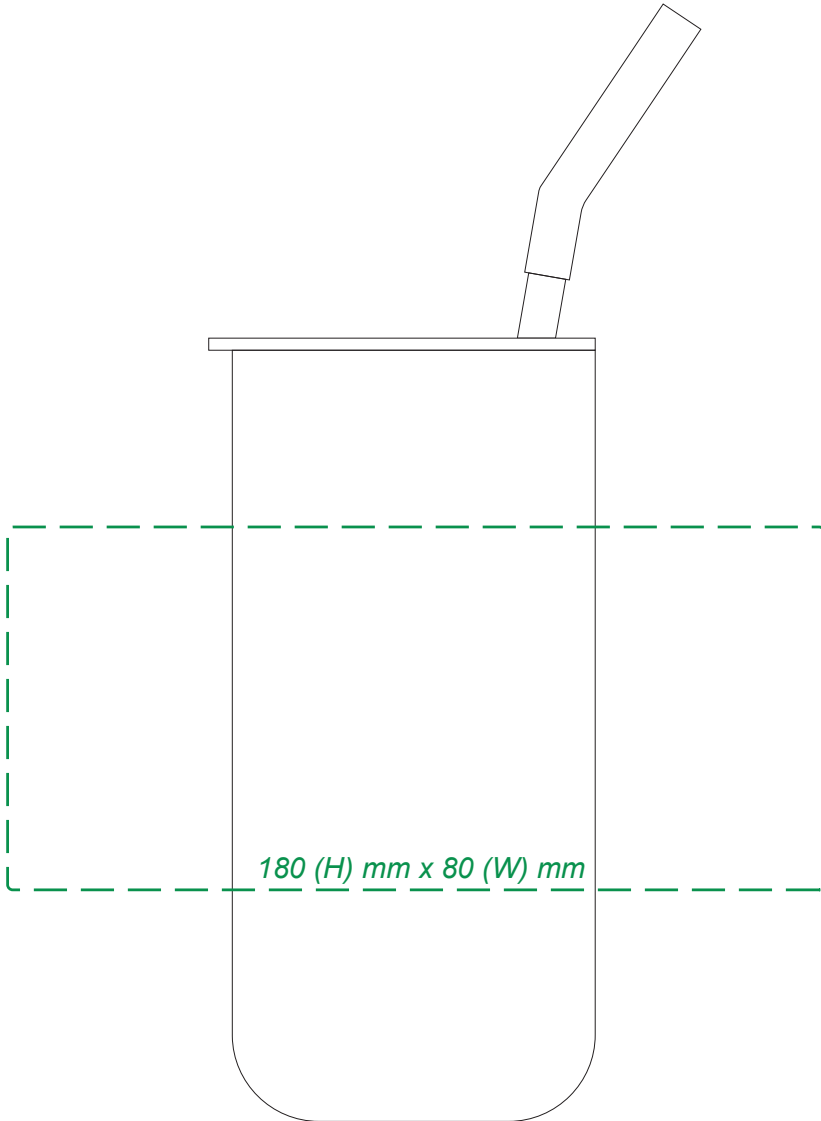
Name: _____

Signature: _____ Date: _____

Screen Printing

Artwork for Approval

scale @60 %



Print Size @100%
mm X mm

Company Name :	Product Code :	JM094
Qty :	Product Colour :	BLACK, WHITE, GREEN, BLUE, SILVER
Order :	Decorate Method :	LASER
Comments :	Print Color :	LASER ENGRAVED

job will not proceed without signature approval. If approval is not approved, delivery could be jeopardised.

NOTE: Ensure that this Proof is correct & in accordance with your instructions. CLIENTS SIGNATURE IS ACCEPTANCE THAT ALL ARTWORK IS CORRECT.
PLEASE TICK APPROPRIATE BOX, SIGN AND RETURN BY FAX A.S.A.P. -

ARTWORK APPROVED (Print as shown)

AMEND ARTWORK WITH CORRECTIONS (Re-fax for approval)

Ensure these (artwork)
details are correct

PLEASE TICK

Spelling Product

Colours Size

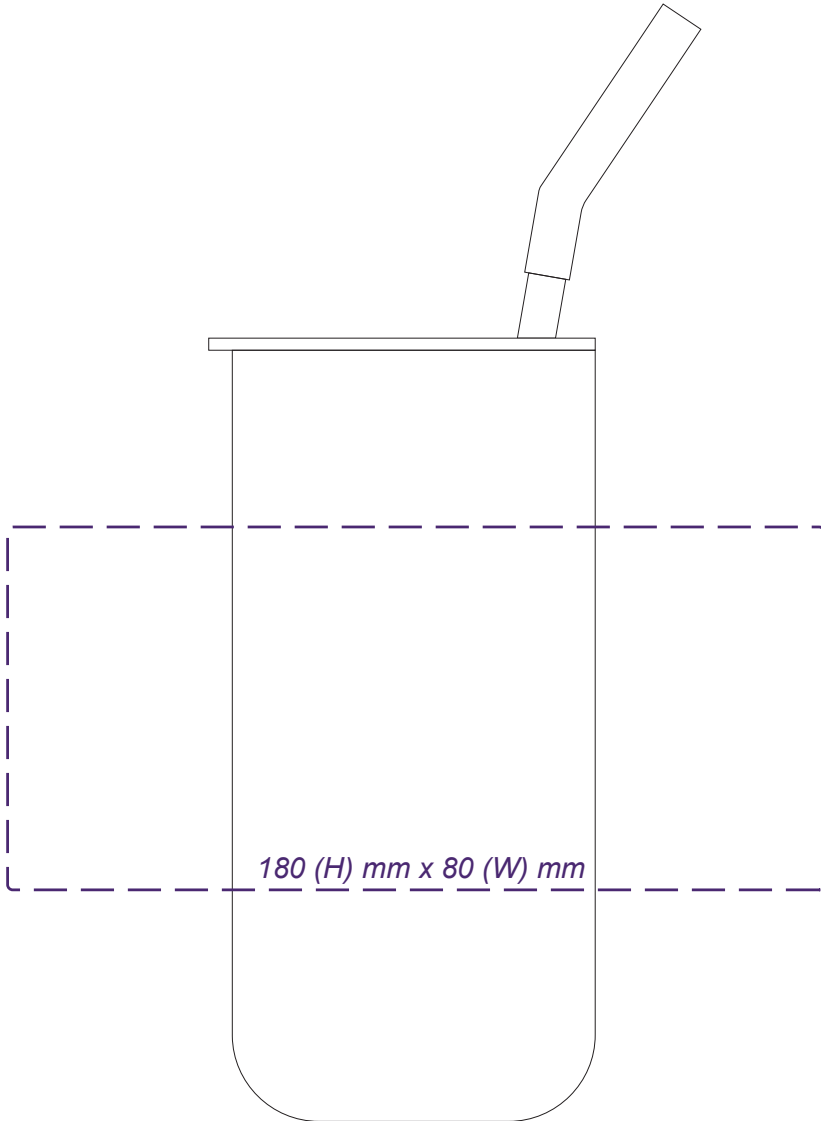
Name: _____

Signature: _____ Date: _____

Digital Rotary Printing

Artwork for Approval

scale @60 %



Print Size @100%
mm X mm

Company Name :	Product Code :	JM094
Qty :	Product Colour :	BLACK, WHITE, GREEN, BLUE, SILVER
Order :	Decorate Method :	DIGITAL ROTARY
Comments :	Print Color :	CMYK

job will not proceed without signature approval. If approval is not approved, delivery could be jeopardised.

NOTE: Ensure that this Proof is correct & in accordance with your instructions. CLIENTS SIGNATURE IS ACCEPTANCE THAT ALL ARTWORK IS CORRECT.
PLEASE TICK APPROPRIATE BOX, SIGN AND RETURN BY FAX A.S.A.P. -

ARTWORK APPROVED (Print as shown) **AMEND ARTWORK WITH CORRECTIONS** (Re-fax for approval)

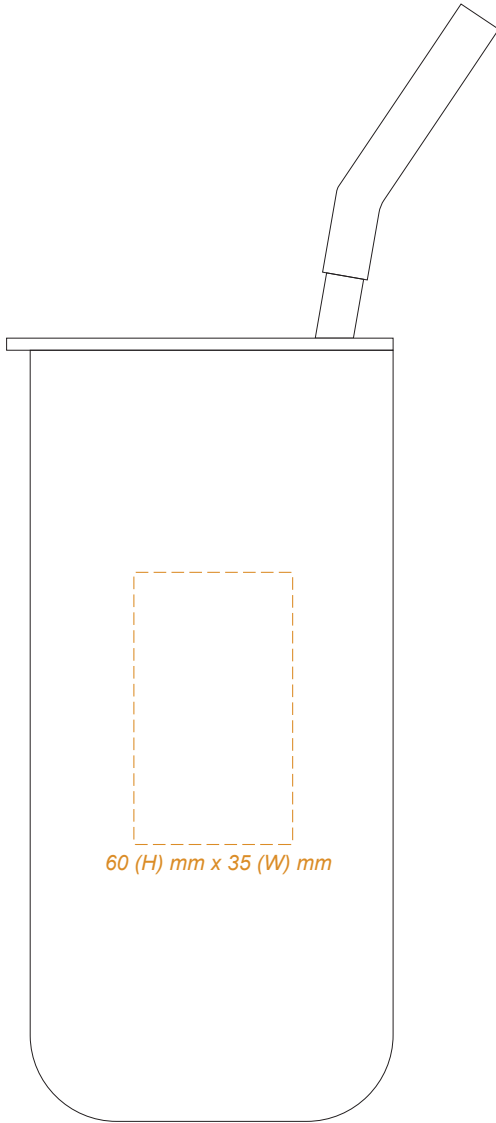
Ensure these (artwork) details are correct
PLEASE TICK

Spelling Product Name: _____
Colours Size Signature: _____ Date: _____

Digital Printing

Artwork for Approval

scale @60 %



Print Size @100%
mm X mm

Company Name :	Product Code :	JM094
Qty :	Product Colour :	BLACK, WHITE, GREEN, BLUE, SILVER
Order :	Decorate Method :	DIGITAL PRINT
Comments :	Print Color :	CMYK

job will not proceed without signature approval. If approval is not approved, delivery could be jeopardised.

NOTE: Ensure that this Proof is correct & in accordance with your instructions. CLIENTS SIGNATURE IS ACCEPTANCE THAT ALL ARTWORK IS CORRECT.
PLEASE TICK APPROPRIATE BOX, SIGN AND RETURN BY FAX A.S.A.P. -

ARTWORK APPROVED (Print as shown)

AMEND ARTWORK WITH CORRECTIONS (Re-fax for approval)

Ensure these (artwork)
details are correct

PLEASE TICK

Spelling Product

Colours Size

Name: _____

Signature: _____ Date: _____